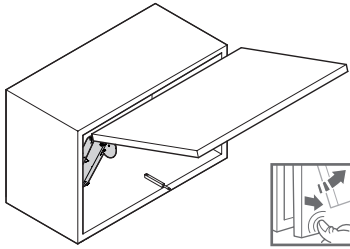


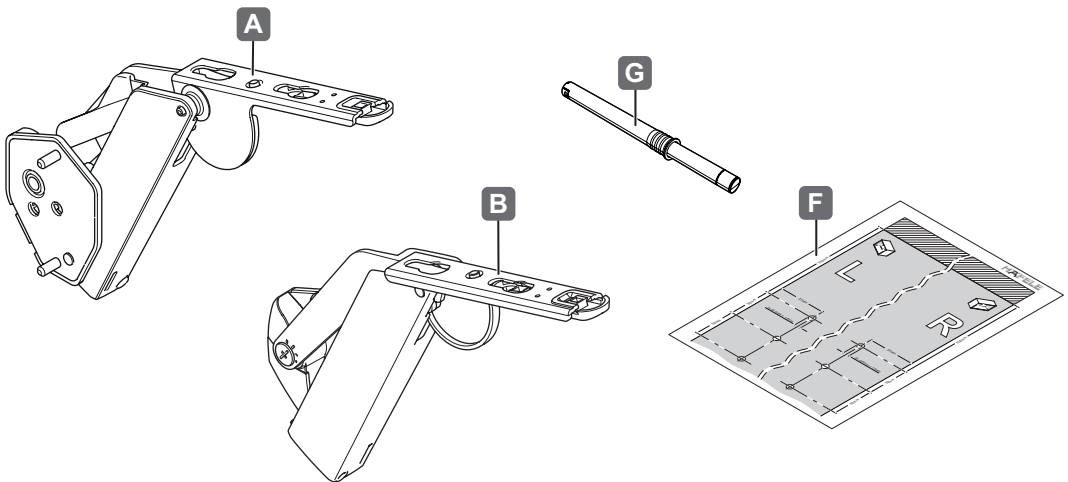


Free space 5.15 push

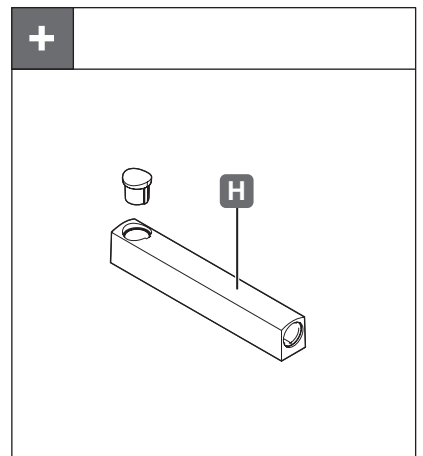
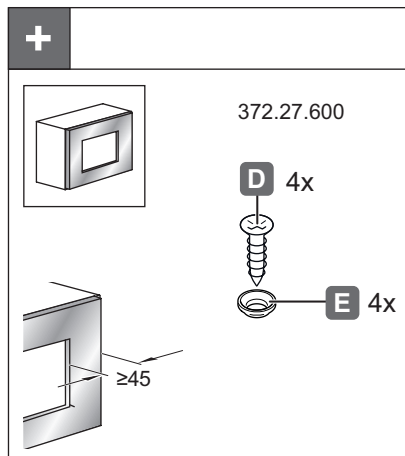
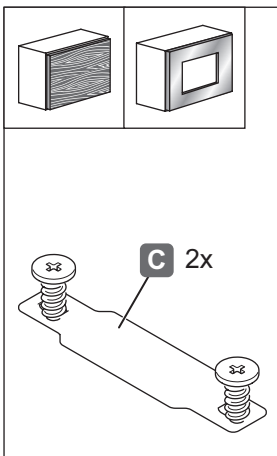
372.27.xxx



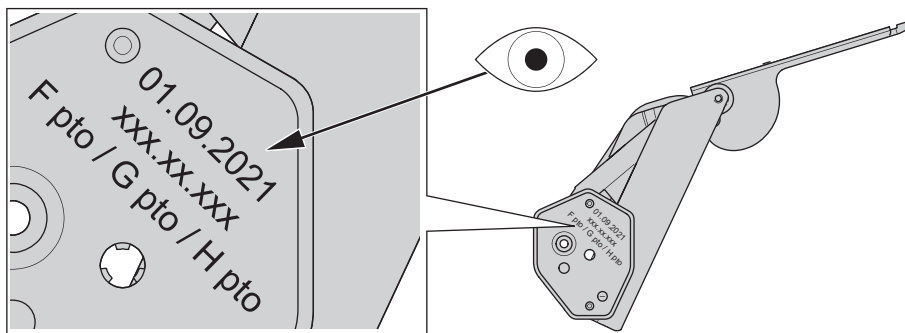
732.23.213



113795

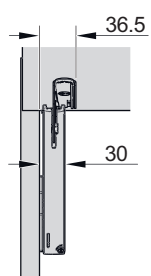
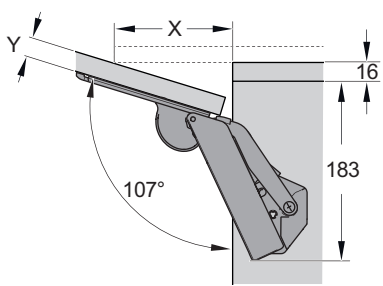


HDE 27.08.2021

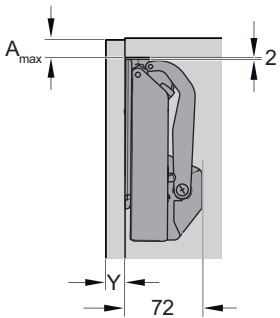


Free space 5.15 F pto	372.27.730	372.27.530	372.27.330	372.27.430
Free space 5.15 G pto	372.27.731	372.27.531	372.27.331	372.27.431
Free space 5.15 H pto	372.27.732	372.27.532	372.27.332	372.27.432

Y	X
16	117
18	110
19	107
22	96
24	90
26	83
28	76



Y	A _{max.} : 107°	A _{max.} : 90°
16	22	33
18	21,5	
19	21	
22	20,5	
24	20	
26	19	
28	18,5	

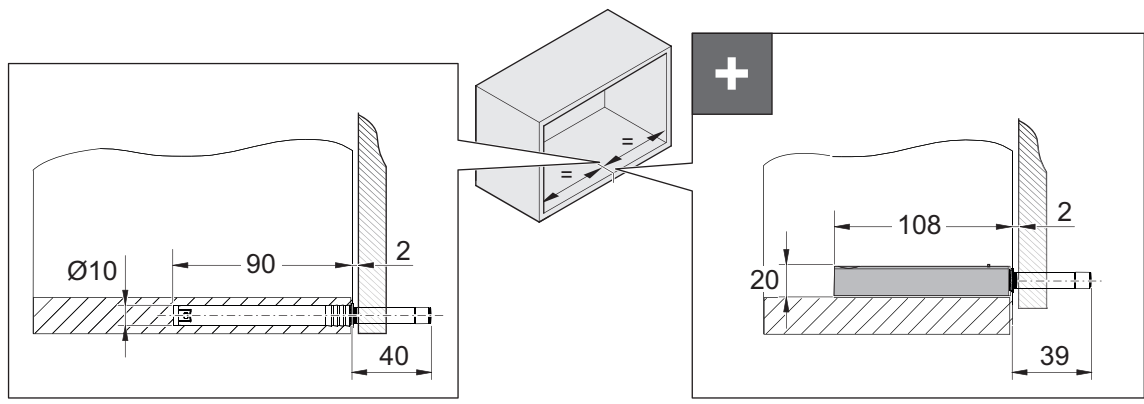


732.23.213

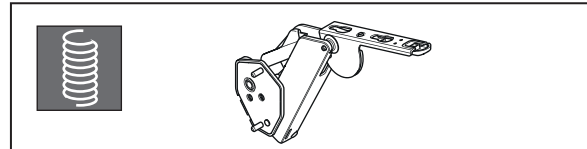
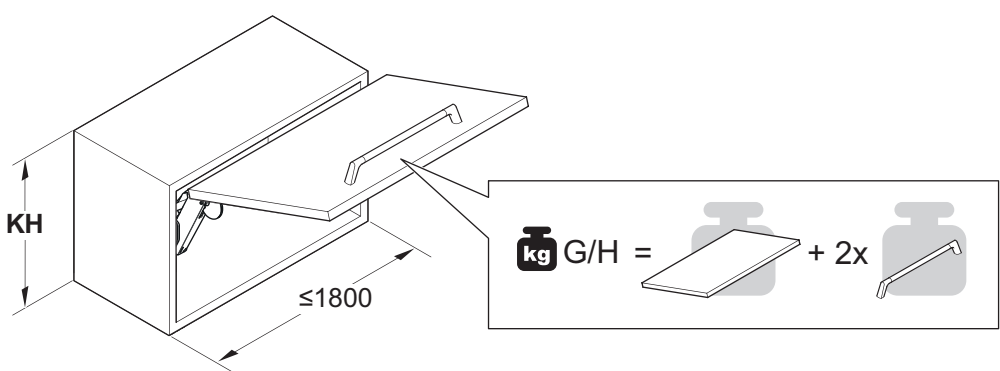
113795

HDE 27.08.2021

i mm



i mm



KH	kg F pto	kg G pto	kg H pto
350	8.7 – 12.3	11.7 – 18.9	18.0 – 25.7
375	8.1 – 11.5	10.9 – 17.6	16.8 – 24.0
400	7.6 – 10.8	10.2 – 16.5	15.8 – 22.5
425	7.2 – 10.1	9.6 – 15.5	14.8 – 21.2
450	6.8 – 9.6	9.1 – 14.7	14.0 – 20.0
475	6.4 – 9.1	8.6 – 13.9	13.3 – 18.9
500	6.1 – 8.6	8.2 – 13.2	12.6 – 18.0
525	5.8 – 8.2	7.8 – 12.6	12.0 – 17.1
550	5.5 – 7.8	7.4 – 12.0	11.5 – 16.4
575	5.3 – 7.5	7.1 – 11.5	11.0 – 15.7
600	5.1 – 7.2	6.8 – 11.0	10.5 – 15.0
625	4.9 – 6.9	6.5 – 10.6	10.1 – 14.4
650	4.7 – 6.6	6.3 – 10.2	9.7 – 13.8

732.23.213

113795

HDE 27.08.2021

1

3 mm 5 mm

≥ 45

64 12 A1 12 64

Ø5x12

A2 25 25 A2

K A F

732.23.213

2

PZ2

≥ 45

RBmin. = 27 + K - F

Ø3

D E C

RBmin.

113795

i

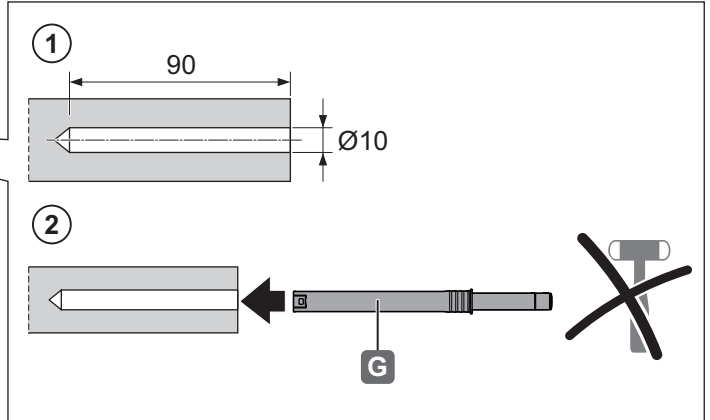
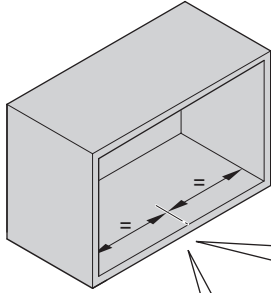
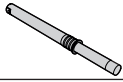
✓ ✗

HDE 27.08.2021

3

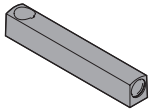


10 mm

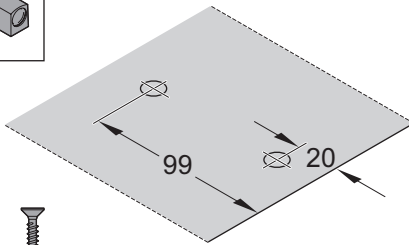


732.23.213

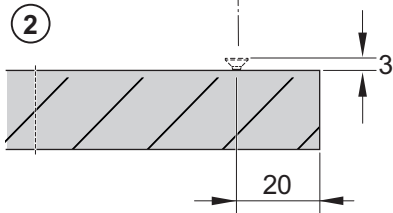
+



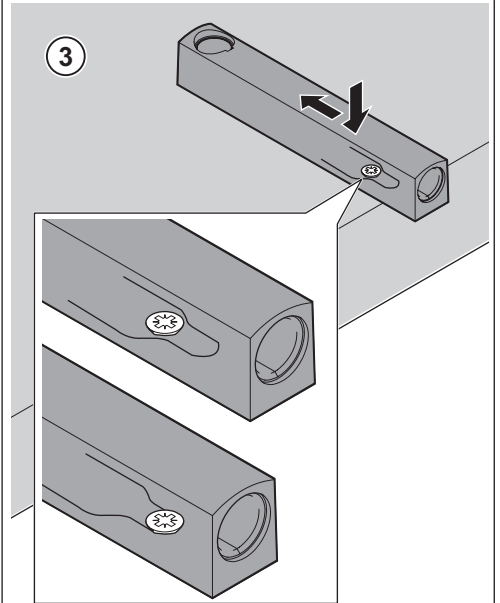
1



2

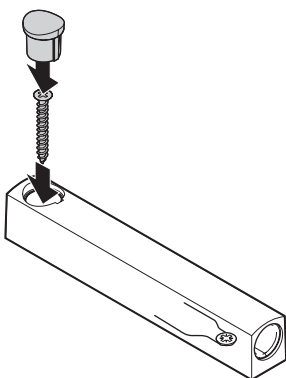


3

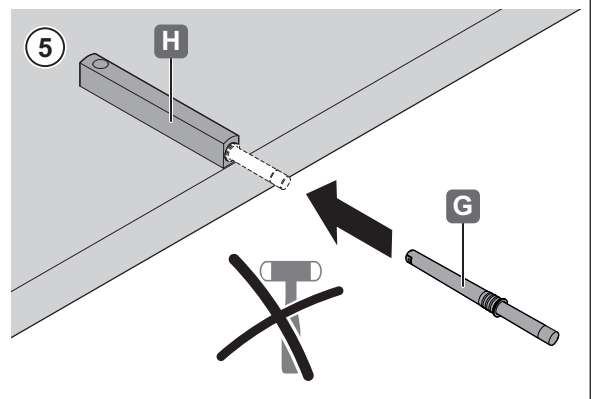


113795

4

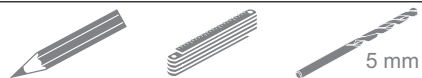


5



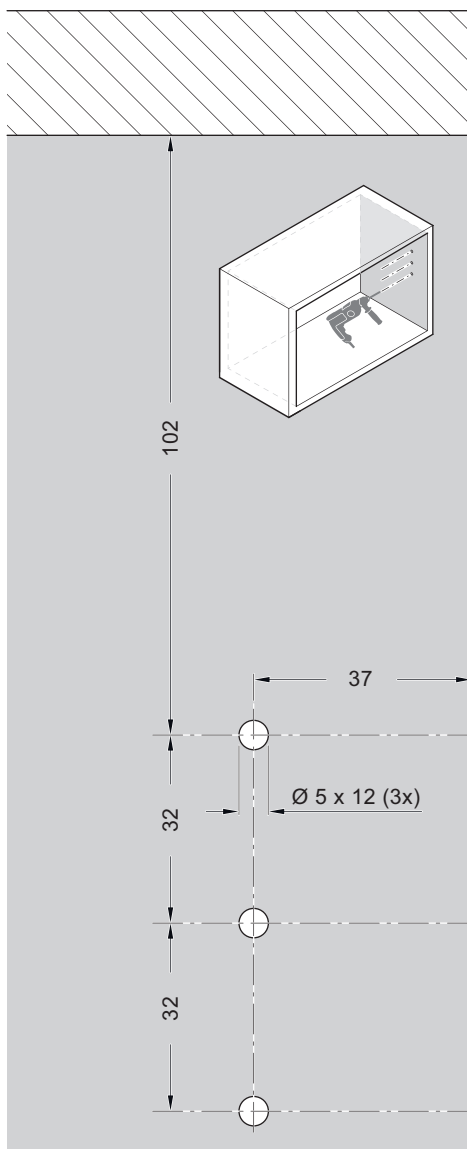
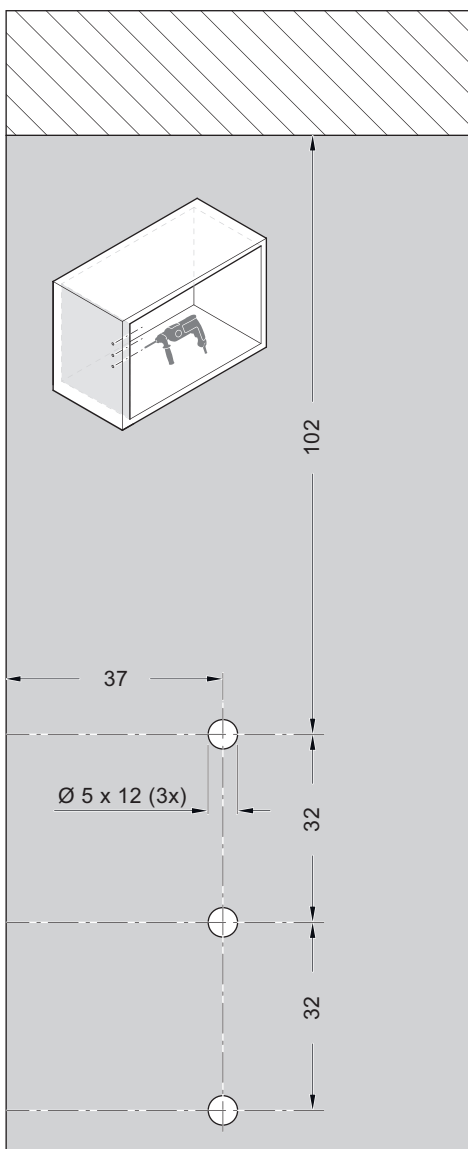
HDE 27.08.2021

4



i

F



732.23.213

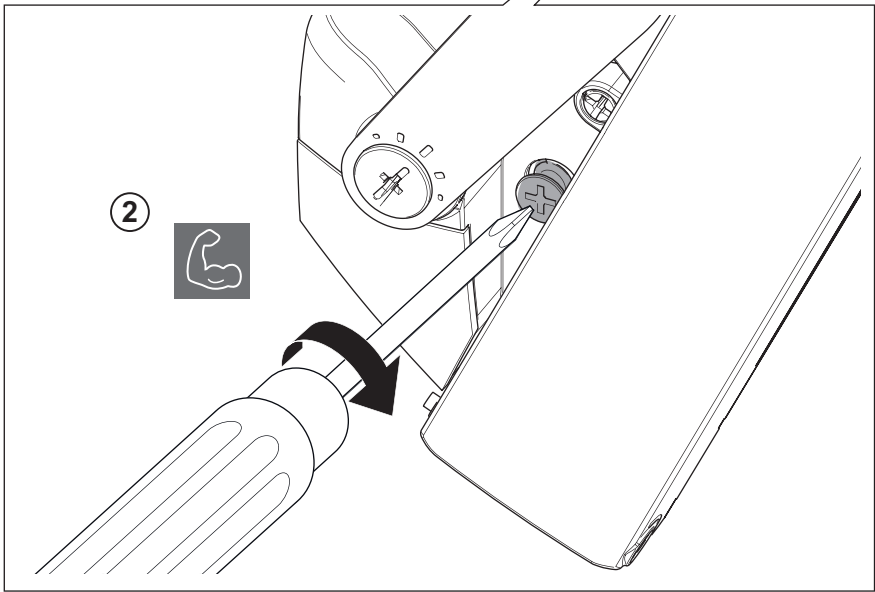
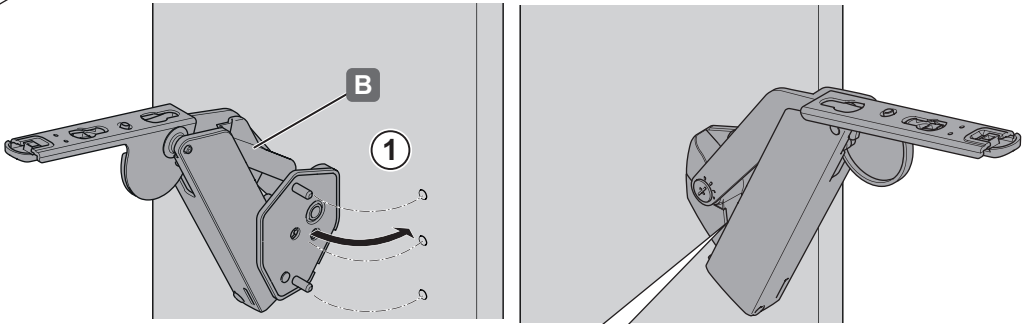
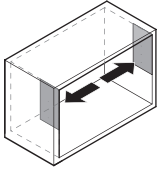
113795

HDE 27.08.2021

5



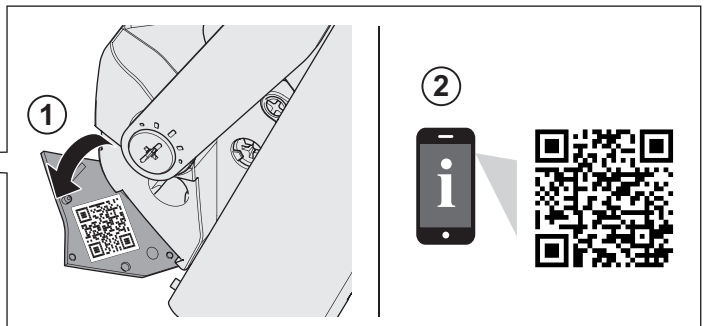
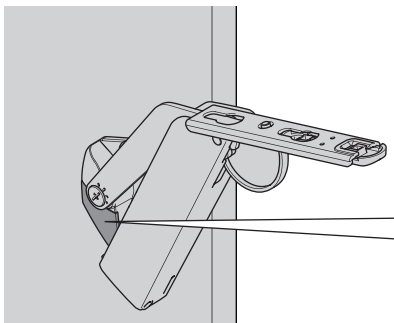
PZ2



732.23.213

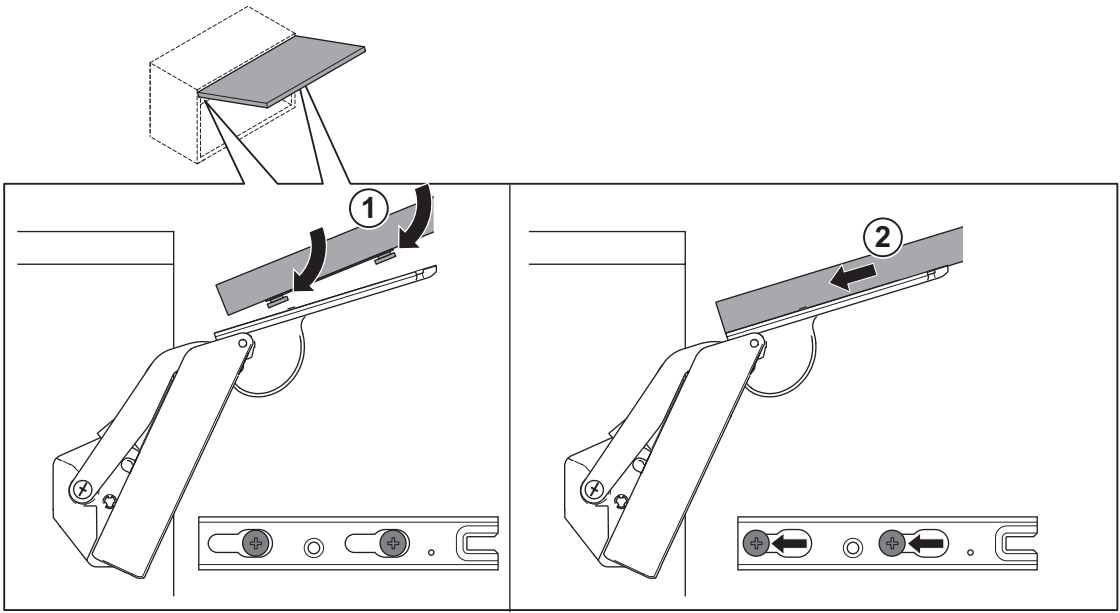
113795

i

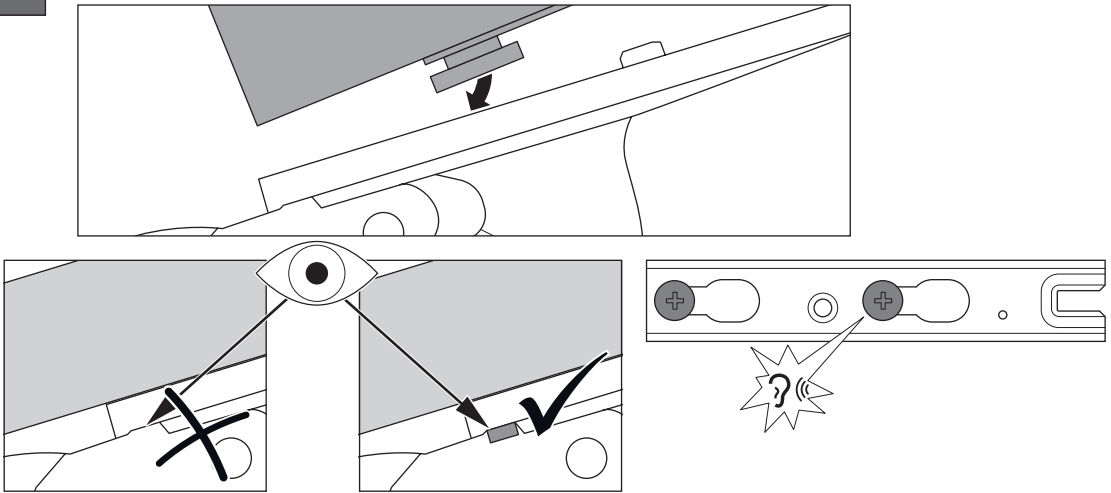


HDE 27.08.2021

6



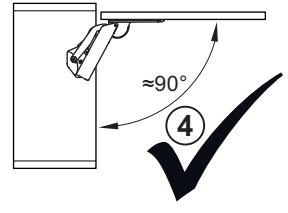
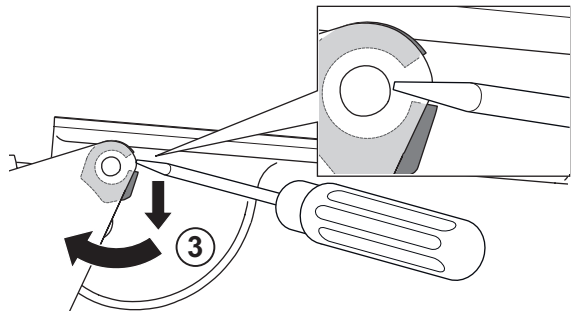
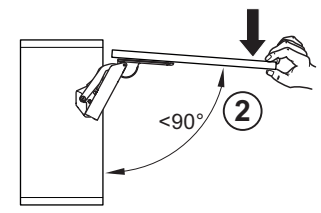
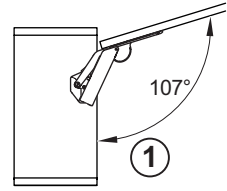
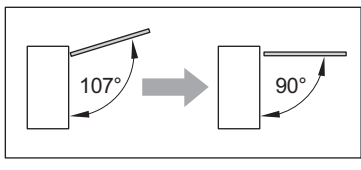
i



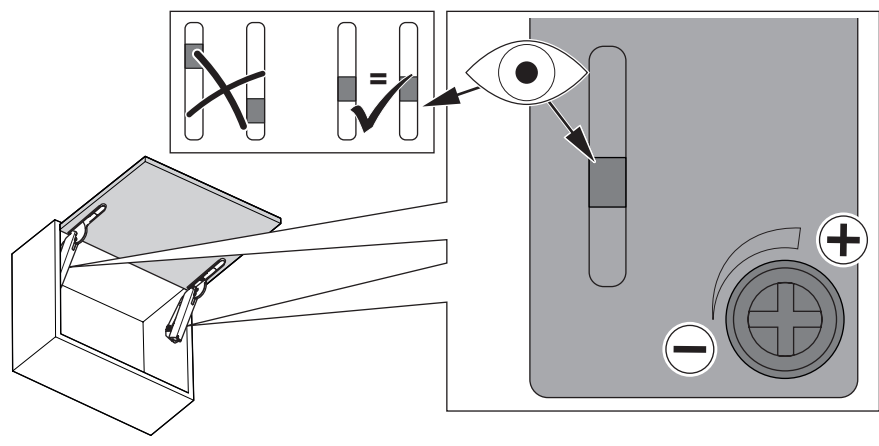
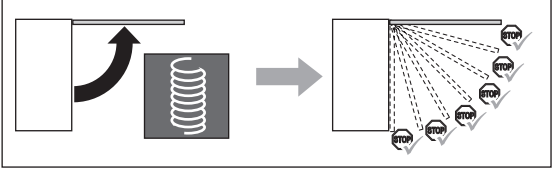
732.23.213

113795

HDE 27.08.2021

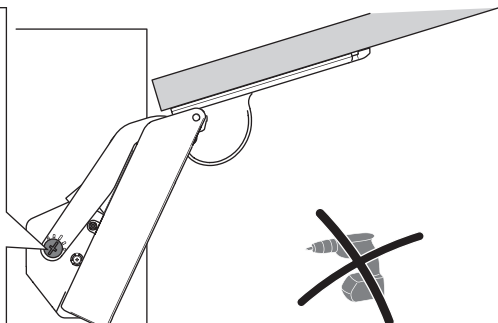
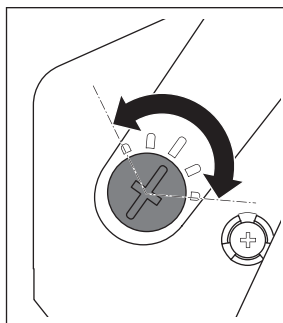
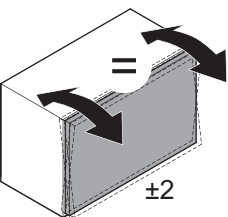
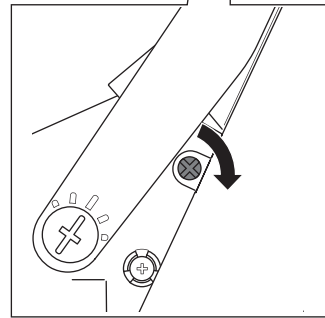
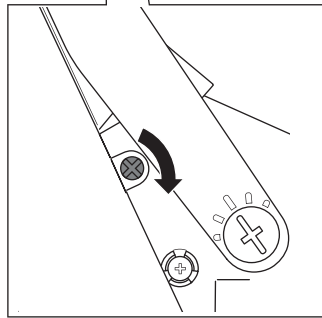
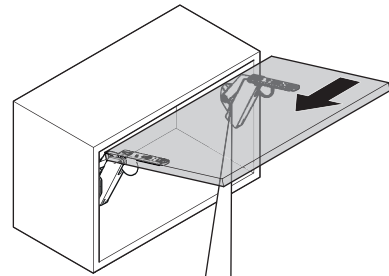
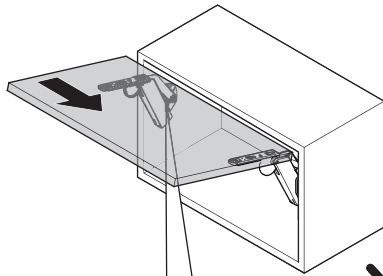
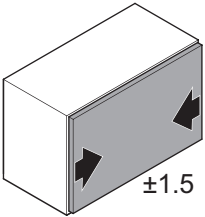
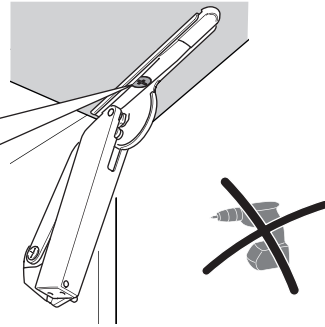
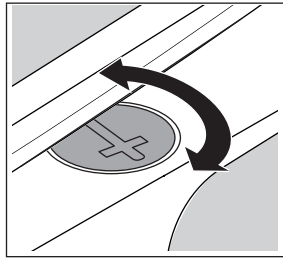
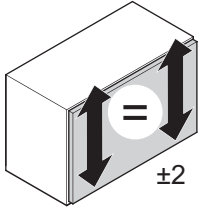


732.23.213



113795

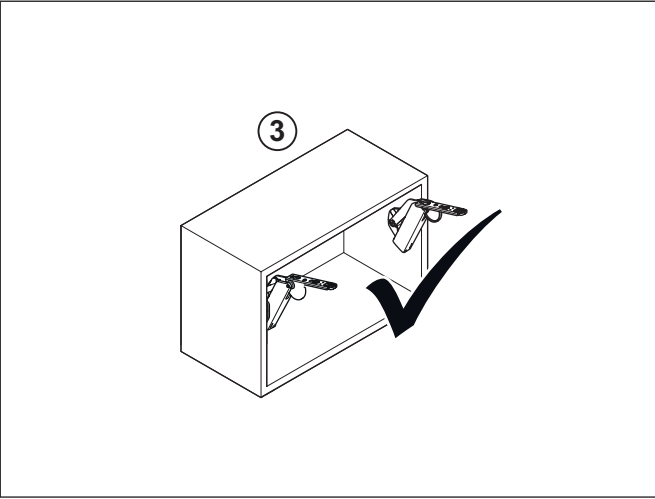
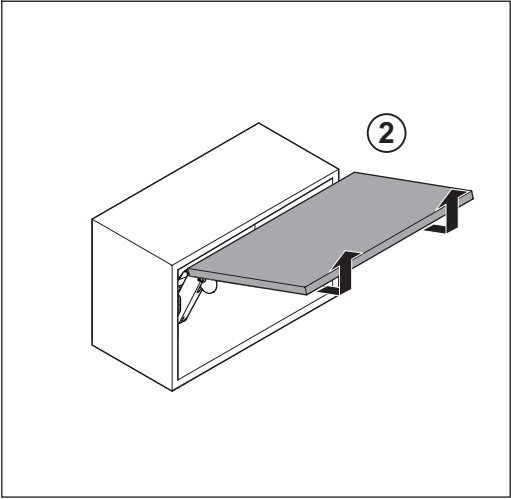
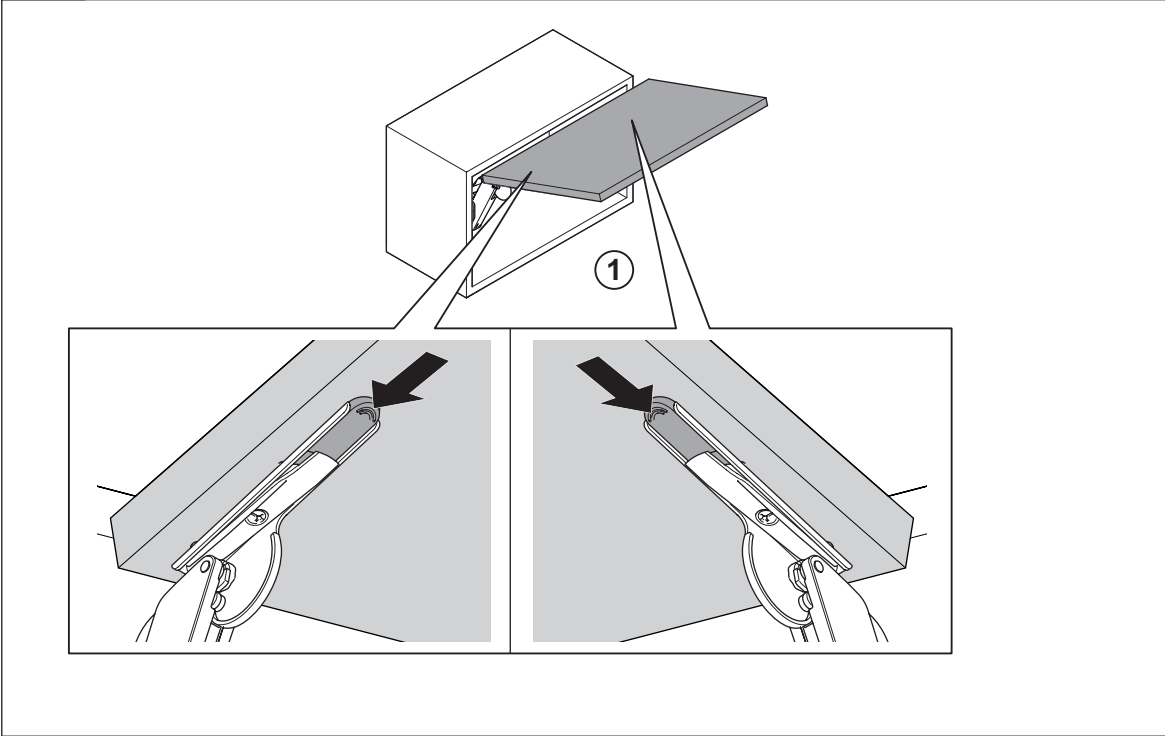
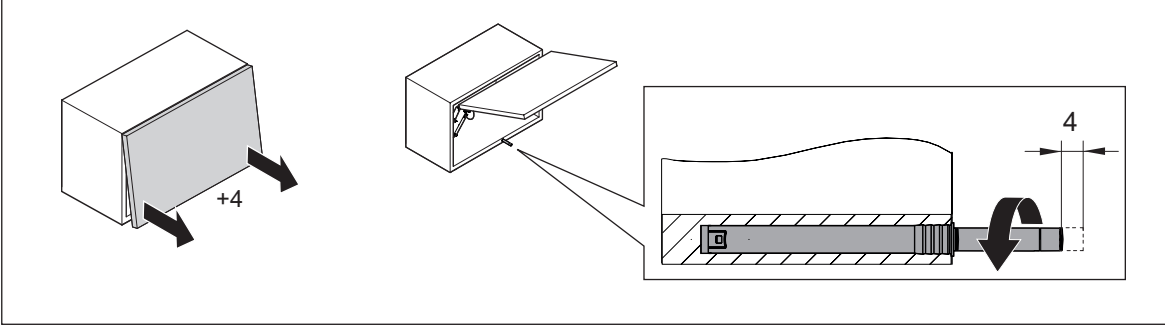
HDE 27.08.2021



732.23.213

113795

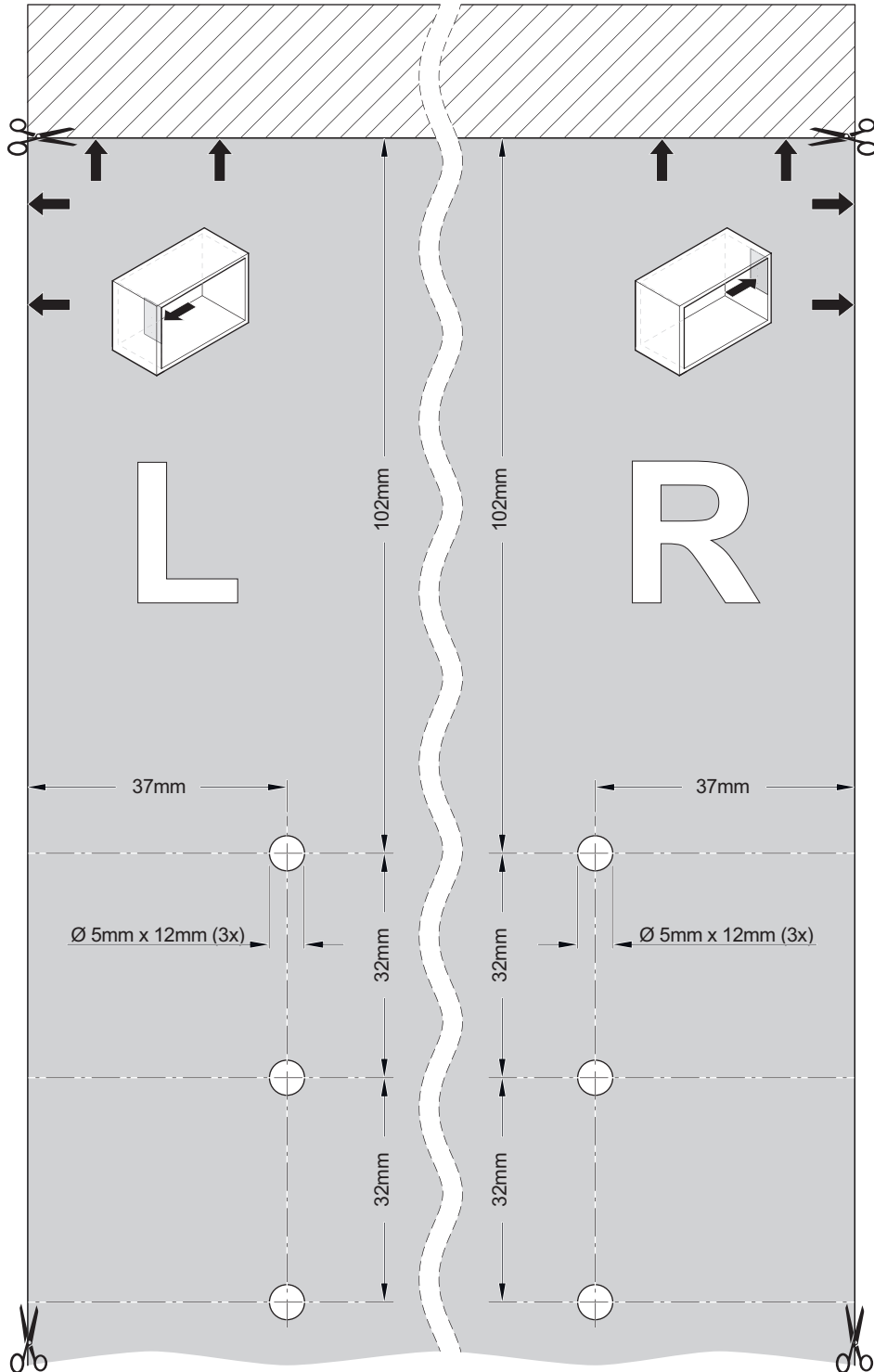
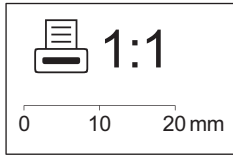
HDE 27.08.2021



732.23.213

113795

HDE 27.08.2021



732.23.213

113795

HDE 27.08.2021